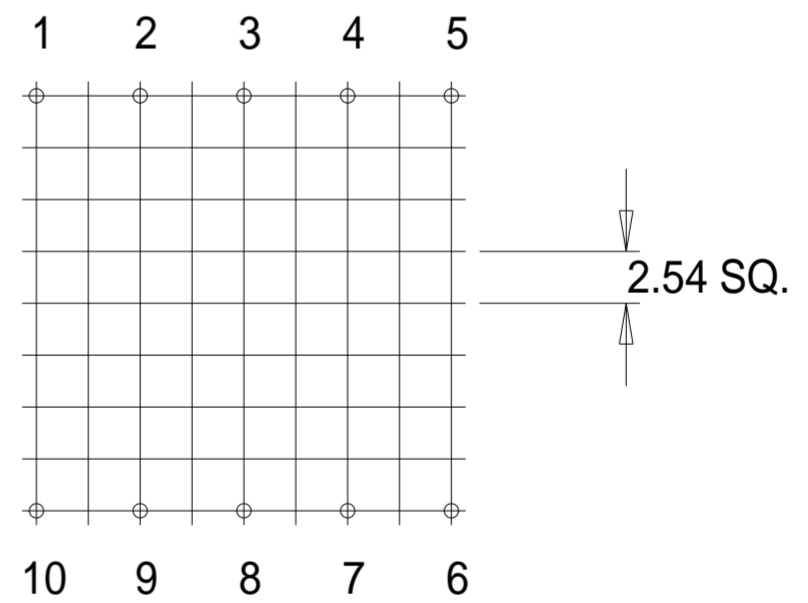
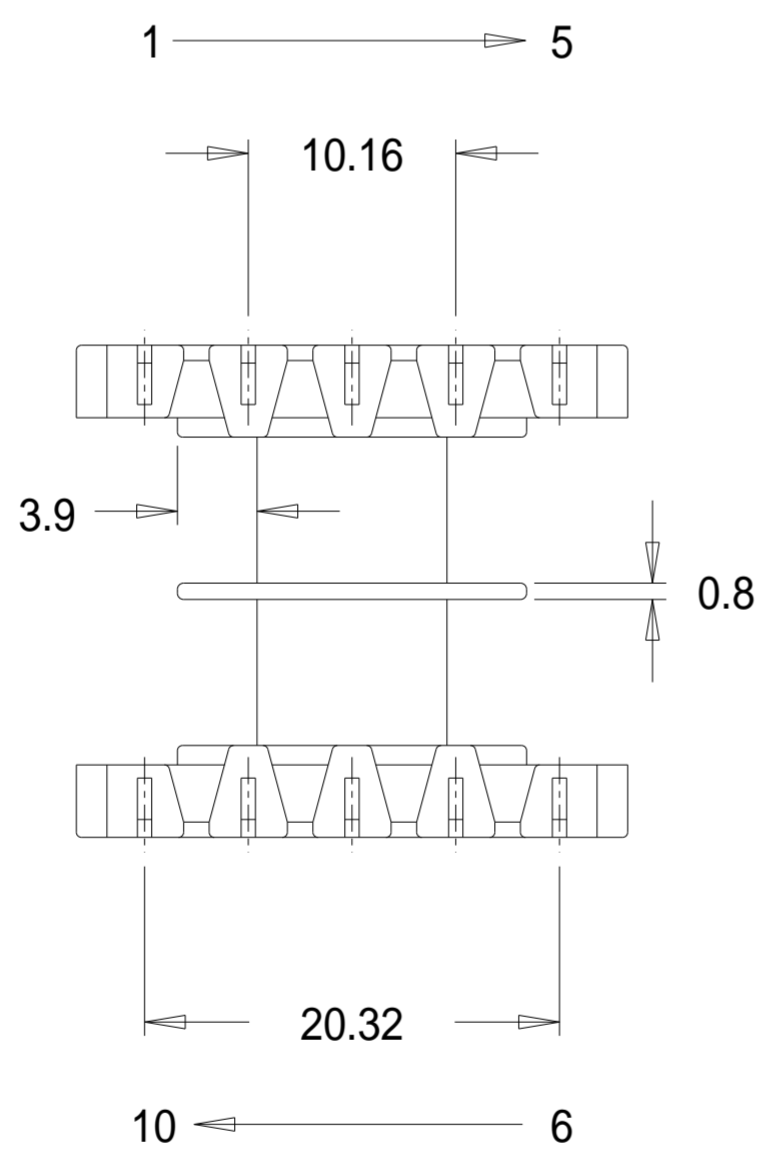
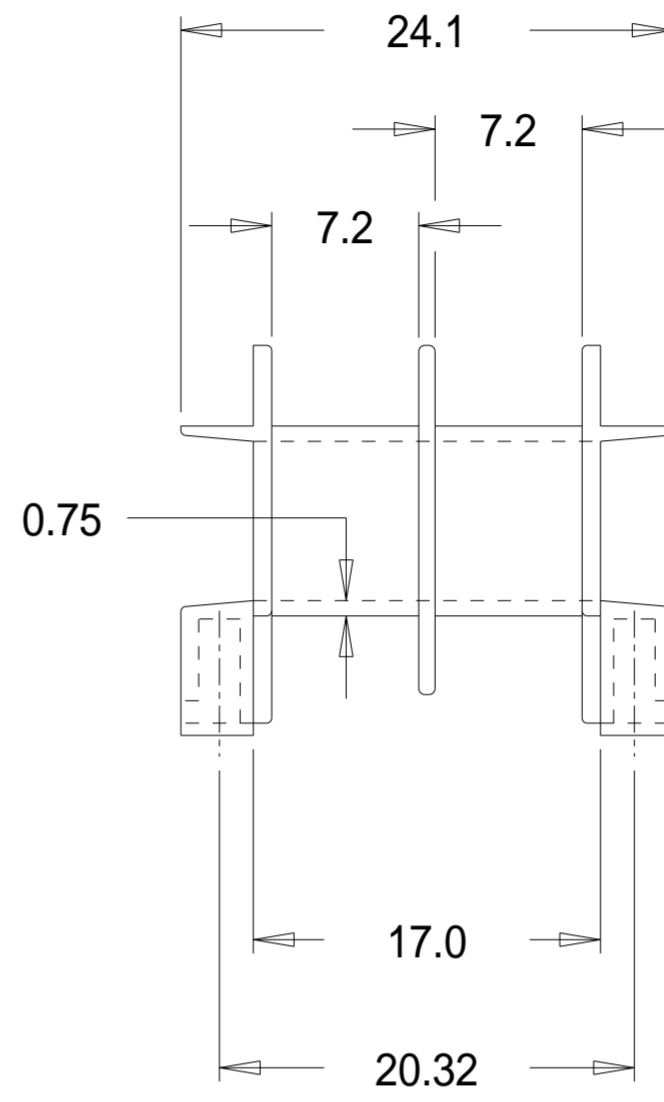
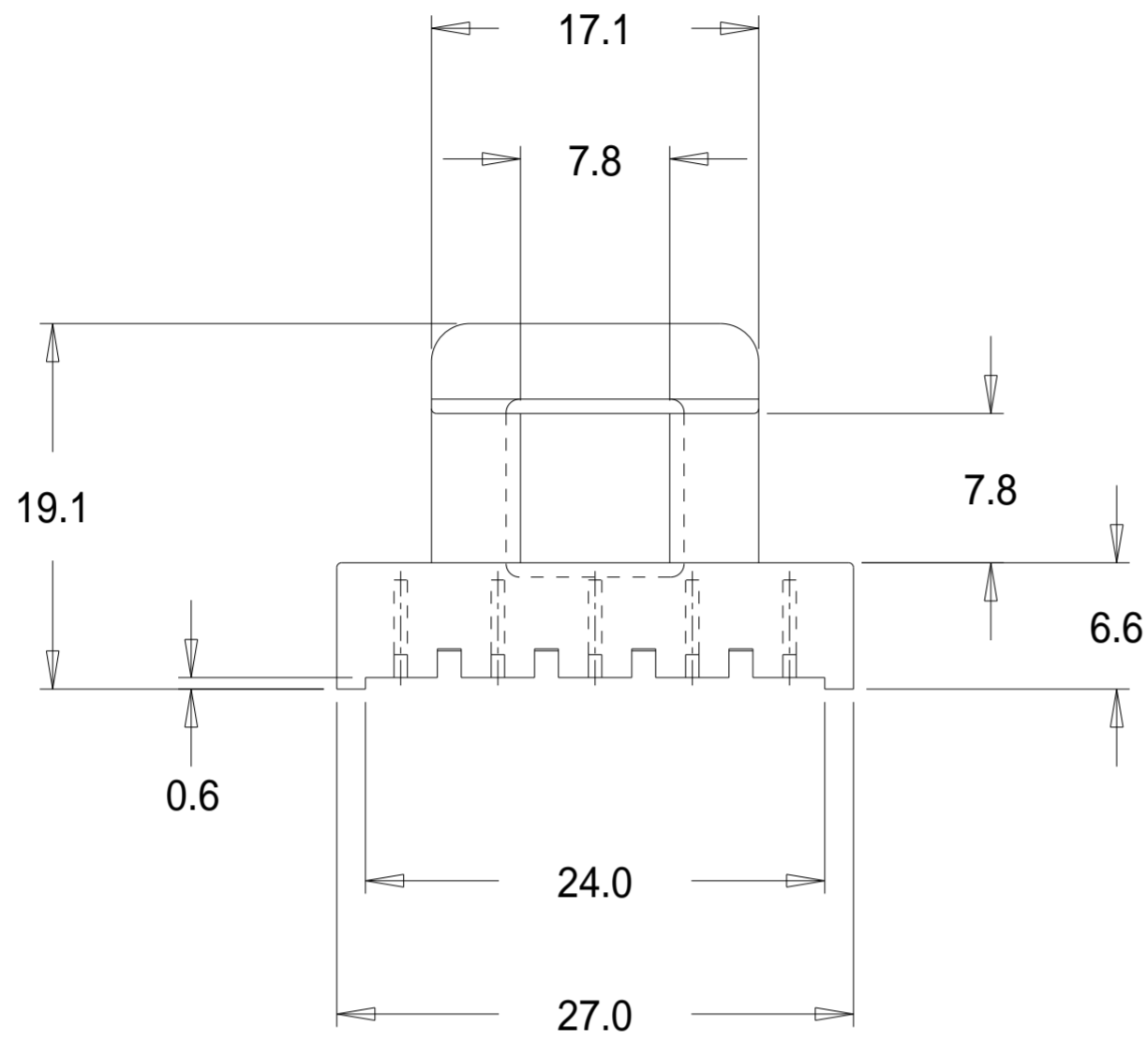


Part No. FE0111

EF 25/13/7 Horizontal Double Section Bobbin



Dimensions in millimetres.

